



KD-4010 POUCH DISPENSER



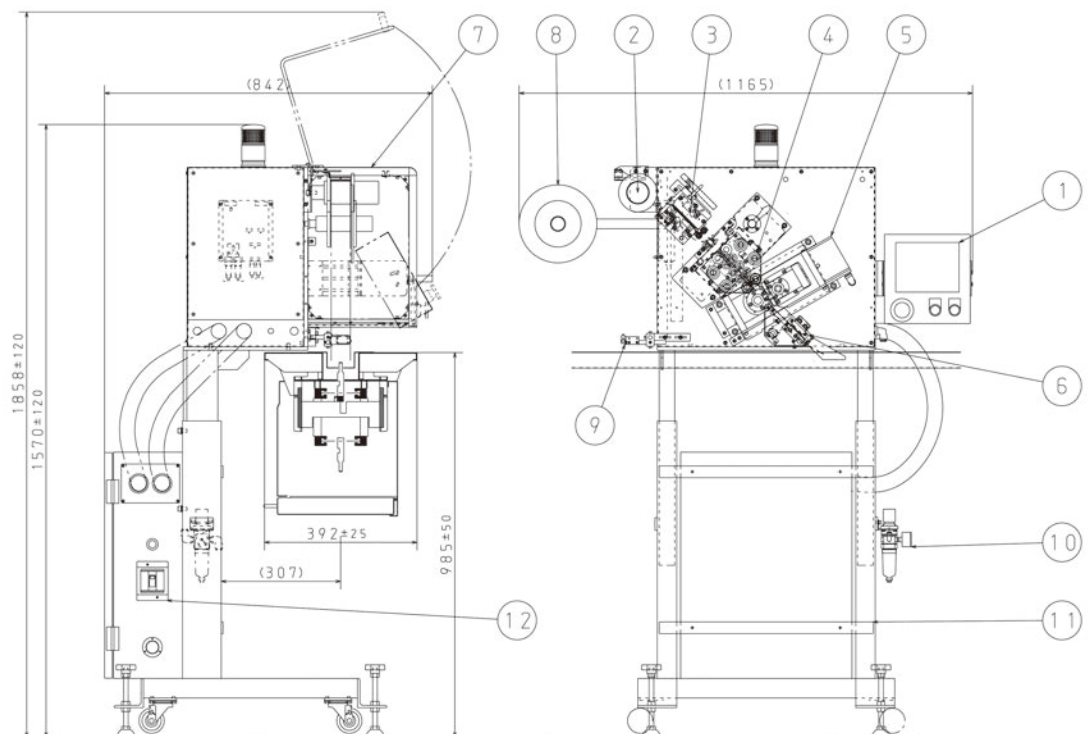
Features

- Consecutive high-speed operation by **Rotary Cutter**
- Capacity: **280 sachets / minute**
- Sachet feeding & cutting synchronized with packing machine
- Sachet friendly smooth movement
- Easy operation by **5.7" color touch panel**
- Register up to **30 recipes**

Basic Specs

Dispensing Capacity	280 sachets / minute
Sachet Size	Width: 50 – 100mm Length: 50 – 120mm Thickness: Max. 10mm
Sachet Type	3 seam-seal / 4 seam-seal
Cutting Accuracy	$\geq \pm 1.5\text{mm}$
Air Utility	0.5MPa 3 ℓ /min. (ANR) Dry air
Operation Atmosphere	0°C - 40°C (Humidity under 80%RH)
Weight	Approx. 210kg

Overview



- ① Operation panel
- ② Top roll unit
- ③ Pitch detection unit
- ④ Belt feed unit
- ⑤ Cutter unit
- ⑥ Belt chute unit
- ⑦ Safety cover unit
- ⑧ Roll unit
- ⑨ Noodle detection unit
- ⑩ Air system
- ⑪ Stand frame
- ⑫ Control box



Lending “hands” to replace human hands.

www.mitsubishi-corp.co.jp

株式会社 三橋製作所

MITSUHASHI CORPORATION

□ Head Office/
Factory

1 Sekizan-cho Yamanouchi Ukyo-ku Kyoto
615-0082 Japan
TEL:+81-75-316-3300 FAX:+81-75-313-7595

□ Tokyo Office/
Overseas Sales Division

Yoshikuni Komagata Bldg. 9F 2-4-11 Komagata
Taitoh-ku Tokyo 111-0043 Japan
TEL:+81-3-3847-9751 FAX:+81-3-3847-9753

□ Kyushu Office

Minamikindai Building 6F, 4-2-10 Hakataekiminami
Hakata-ku Fukuoka 812-0016 Japan
TEL:+81-92-476-3800 FAX:+81-92-476-3801